

PRODUCT No. 6504

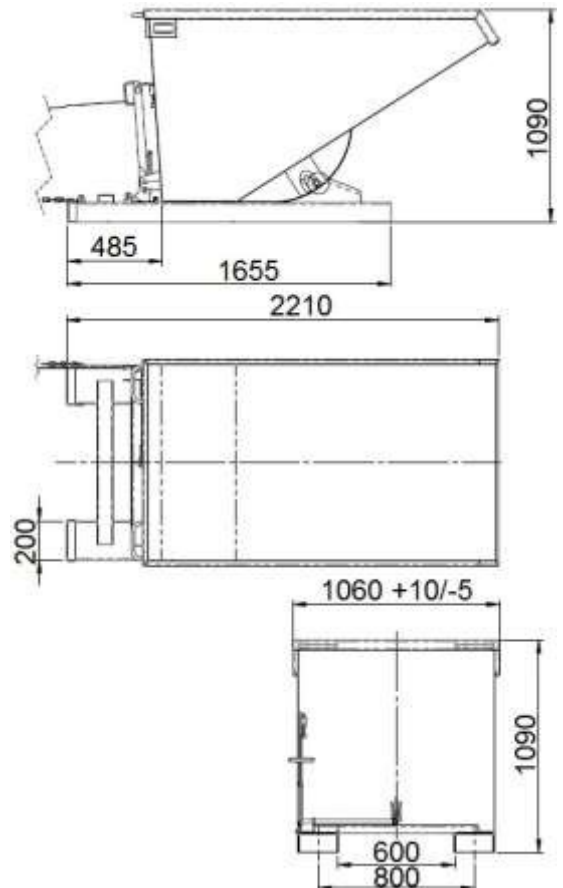
Tippling container PROFI – 1200 l



(Illustrative photograph)

Technical data

Material	Steel sheet
Material thickness (bottom/walls/skids)	3 / 3 / 3 mm
Capacity	1200 l
Weight	250 kg
Load capacity	1200 kg
Skids (distance)	200x90 (800) mm
Guide spindles (diameter)	Round log (20 mm)
Lever (bar – flat)	40x10 mm
Width	1070 mm
Depth	2210 mm
Height (without / with wheels)	1090 / 1330 mm



Attributes

- Made of high quality steel sheet with 3 mm thickness.
- Guide spindles are made of round logs with 20 mm diameter.
- Equipped with two skids for manipulation by fork-lift machinery.
- Equipped with lever for tilting – flat bar 40 x 10 mm.
- Surface finishing is made by varnishing.

Color variations

- Standardly blue.

Product purpose

- Designed for manipulation with waste and semi-finished products.

