

PRODUCT No. 6075-Z

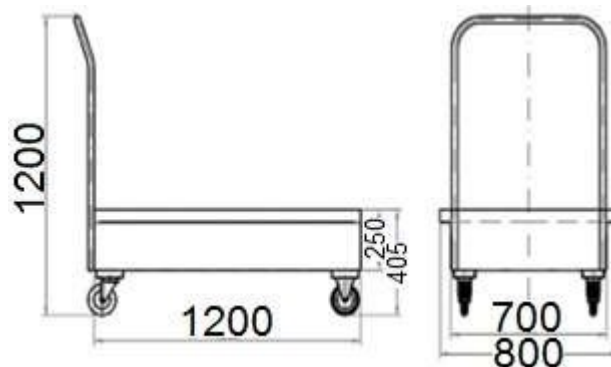
Mobile catching basin with grate – hot-dip galvanized



(Illustrative photograph)

Technical data

Material	Steel sheet
Sheet thickness	3 mm
Surface finishing (basin)	Hot-dip galvanized
Surface finishing (grate)	Hot-dip galvanized
Heavy duty wheels	125 mm
Weight	77 kg
Load capacity	600 kg
Capacity	220 l
Width	1200 mm
Depth	800 mm
Height	405/1200 mm



Attributes

- Mobile catching basin for transportation of 2x 200 l barrels.
- Equipped with a grate for easier manipulation with barrels.
- Equipped with heavy duty wheels (2x fixed, 2x turnable with brakes) – type 6002-1/6013-1.

Color variations

- Hot-dip galvanized.

Product purpose

- Designed for containment of unwanted leakage of liquids and transportation for shorter distances.