

**PRODUCT No. 1134**

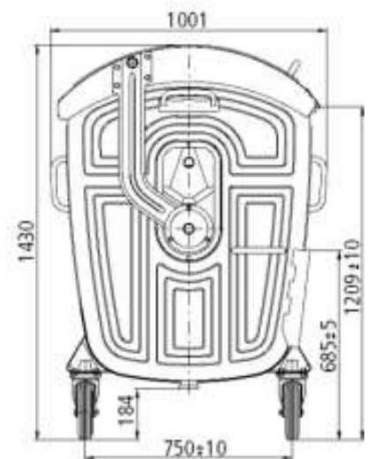
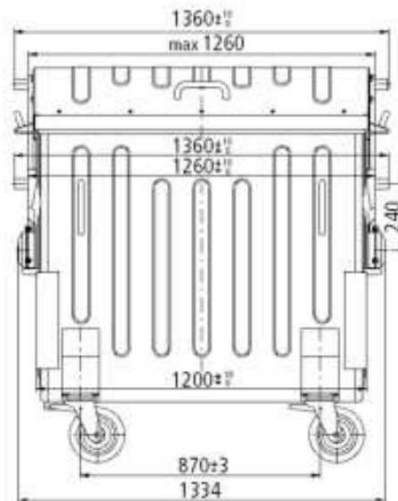
**Metal galvanized container – 1100 l**



(Illustrative photograph)

**Technical data**

Material	Steel sheet
Capacity	1100 l
Weight (variation)	110 - 135 kg
Load capacity	440 kg
Wheels (diameter)	200 mm
Width	1360 mm
Depth	1001 mm
Height	1430 mm



**Attributes**

- Made of steel sheet.
- Surface finishing is made by hot-dip galvanization.
- Equipped with turnable wheels with 200 mm diameter – 2x wheels with brake.
- Containers are suitable for municipal and industrial waste.

**Color variations**

- Hot-dip galvanized.

**Product purpose**

- Designed for collection of municipal and industrial waste.

**Additions**

- Lids can be equipped with specific openings and color for waste separation.