

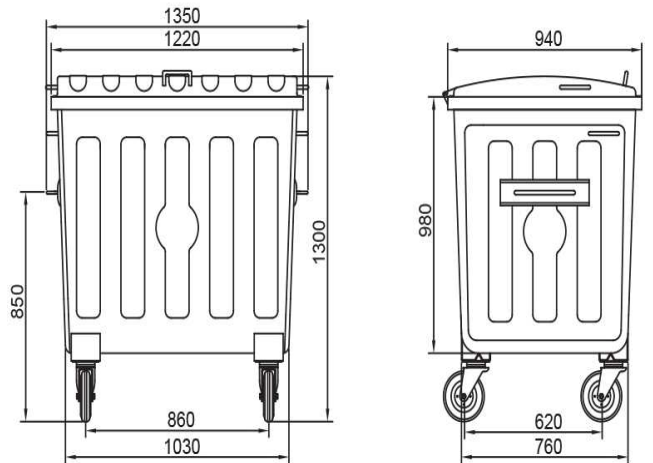
PRODUCT No. 1133

Hot Dip Galvanized Metal Container With Semi Dome Cover – 1000 l



Technical Data

Material	Steel Sheet
Volume	1000 l
Weight	120 kg
Wheels (diameter)	160 mm
Width	1350 mm
Deep	940 mm
Hight	1300 mm



Attributes

- Made of steel sheet.
- Surface coating is made by hot dip galvanizing.
- Carrier 4 pieces 160x45 mm. large tongs 360 degrees rotating, tong plate 4.00 mm. There is a wheel that conforms to the TS EN 12532 standard.
- Containers are suitable for municipal and industrial waste.
- Cover 1.20 mm It is manufactured from a single piece of sheet metal to cover the mouth of the container completely by giving a form for plastering and strengthening and is mounted on the body with a hinge.

Color Variety

- Hot-dip galvanized

Product purpose

- Designed for the collection of municipal and industrial waste.

Additions

The name of the municipality, the figure of a person throwing garbage and the slogan "Keep Our Environment Clean" is written on the front surface.