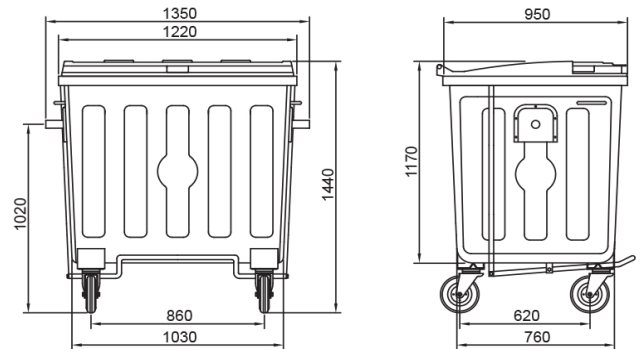


PRODUCT No. 1132-1
Metal Galvanized Container With Plastic Cover – 1100l

Technical Data

Material	Steel sheet
Volume	1100 l
Weight	120 kg
Wheels (diameter)	200 mm
Width	1350 mm
Deep	950 mm
High	1440 mm


Attributes

- Made of steel sheet.
- Surface coating is made by hot dip galvanizing.
- Carrier 4 pieces 360 degrees 200x50 mm. with large tongs, 2 of them with brakes and the tong plate 4.00 mm. Available in accordance with TS EN 12532 standard
- Containers are suitable for municipal and industrial waste.
- The cover is made of high density polyethylene (HDPE), resistant to U.V rays, in green color.

Color Variety

- Hot-dip galvanized

Product Purpose

- Designed for the collection of municipal and industrial waste

Additions

The name of the municipality, the figure of a person throwing garbage and the slogan "Keep Our Environment Clean" is written on the front surface.