

PRODUCT No. 7070

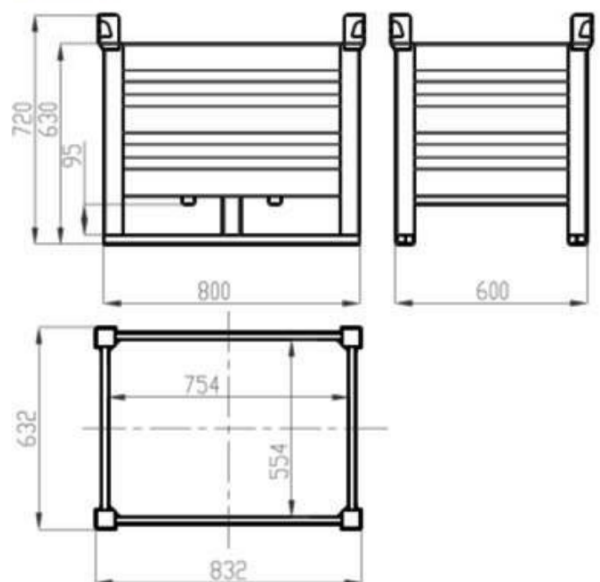
Metal box pallet with skids



(Illustrative photograph)

Technical data

Material	Steel sheet
Thickness (Bottom/sidewalls)	1,8 / 1,8 mm
Capacity	230 l
Weight	48,2 kg
Load capacity (Dynamic/stacking)	750 / 3000 kg
Stacking	1 + 3 pallets
Width	600 mm
Length	800 mm
Height	630 mm



Attributes

- Made of high quality steel sheet.
- Material thickness – sidewalls (1,8 mm), bottom (1,8 mm), posts (3 mm), stacking chalice (4 mm), skids (3 mm).
- Surface finishing is made by powder paint coating.
- Construction strength is strengthened with profiles.
- Equipped with skids – they are reinforcing whole construction of the pallet box.
- Pallet legs are obtained with loops which are designed for safe stacking.
- Possibility of manipulation by fork-lift machinery or a crane.
- Metal box pallet can be placed in the interior or exterior places – partially protected against weather influences.

Color variations

- According to RAL sampler.

Product purpose

- Designed for storing and transportation of material.

Additions

- Non-standard version can be manufactured according to order.

